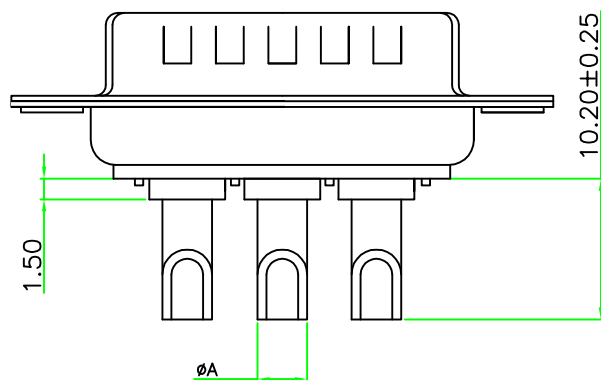
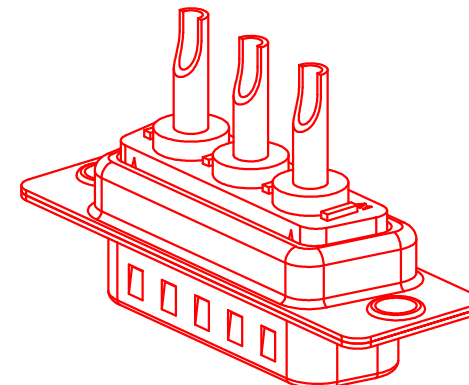
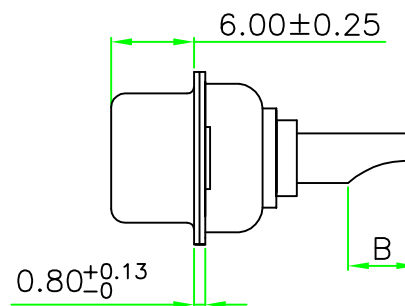
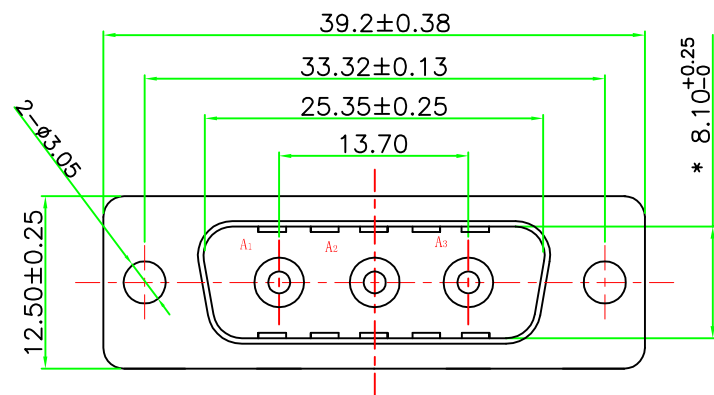


REV.	ECN. NO.	APPD.
A	WL-20-008	Jerry. Zhang

PO(X)	A	B	WIRE	CURRENT RATING (A)
1	2.5	4.5	12#	10
2	3.6	5.0	10#	20
3	4.4	5.5	8#	30
4	5.5	5.5	6#	40



MATERIALS AND FINISH

SHELL: STEEL OR COPPER ALLOY MATERIAL, Tin/Ni OR Au FINISHED.

CONNECTOR INSULATOR: PBT THERMOPLASTIC, 30% GLASS FILLED, UL 94V-0 RATED.

HIGHT POWER CONTACT : COPPER ALLOY MATERIAL, GOLD PLATED.

ELECTRICAL CHARACTERISTICS

HIGH POWER CONTACT CURRENT RATING: 10, 20, 30 OR 40 AMPS.

THE WORKING VOLTAGE: 300V.

HIGH POWER CONTECT RESISTANCE: 2.7 MILLIOHMS MAX.

DIELECTRIC WITHSTANDING VOLTACE: 1000 V AC FOR 1 MINUTE.

INSULATION RESISTANCE: 2000 MEGAOHMS MIN.

TEMPERATURE RATING: -55° ~ +125° .

IDEAS GENERATED DRAWING. DON'T CHANGE BY HAND.

X.±	X'.±	UNITS	mm	NAME(INTENDED USE)	
.X± 0.3	.X'±	MAT'L		3W3 公 电流焊线式传统铆合 20A	
.XX± 0.20	.XX'±	SEE NOTES		PART NO.(INTENDED USE)	CLASS: <input type="checkbox"/> CONFIDENTIAL <input type="checkbox"/> SECRET <input checked="" type="checkbox"/> GENERAL
.XXX±	.XXX'±	FINISH		WL11-0401	TITLE: CONN DRAWING
THESE DRAWINGS AND SPECIFICATIONS ARE THE PROPERTY OF INCEL INTERCONNECT TECHNOLOGY LIMITED, AND SHALL NOT BE REPRODUCED, COPIED OR USED IN ANY MANNER WITHOUT THE PRIOR WRITTEN CONSENT OF INCEL INTERCONNECT TECHNOLOGY LIMITED.				APPD: yuan. wu 08/16"20	DWG NO.: WL11-0401-0568
				Q'TY	CHKD: lei. wang 08/16"20
				DRAW: min. sun 08/16"20	N/A 1/1 A